

AVM552J

ETS **APOLLO**



HD 1080P



Vari-focal Lens



WDR



PoE



Line in / out



MicroSD Card Recording



External I/O



Solid Light



Mobile Surveillance

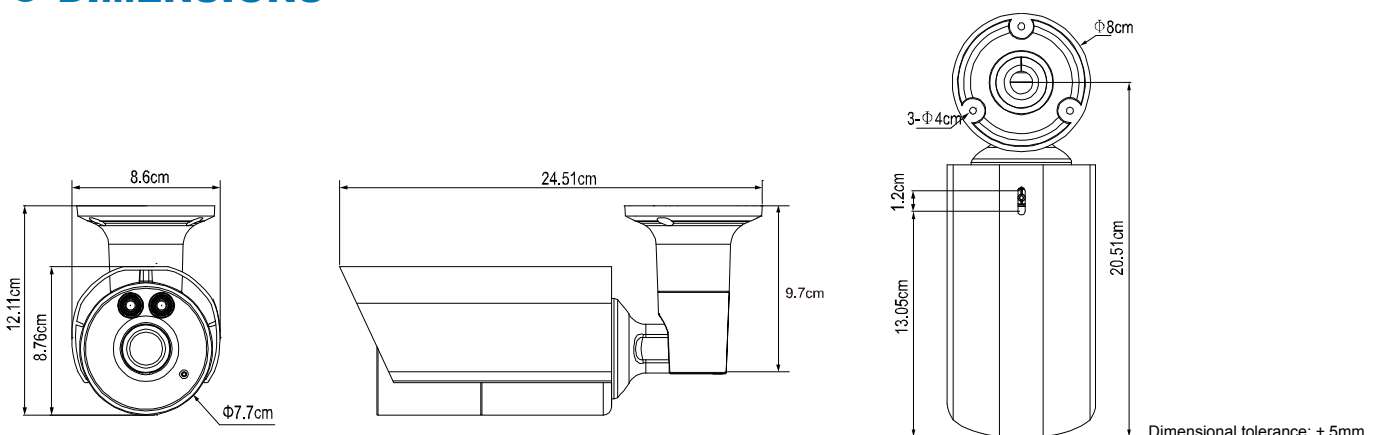
2MP IR Bullet IP Camera

FEATURES

- Equipped with a **vari-focal lens of f2.8 ~ 12 mm**, suitable for various monitoring environments
- MicroSD card support (up to 64GB) for **video storage**
- **External alarm I/O device** connection
- **POE (Power-over-Ethernet)** support to eliminate the use of power cables and reduce installation costs
- **ONVIF (ONVIFS)** standard supported to simplify system integration
- **Line in / out** jacks available for audio transmission
- IR effective range **up to 35 meters** for night surveillance
- **WDR** to increase image recognizability in overexposure and dark areas
- **Solid Light** series featuring better overexposure prevention (Advanced Smart Light Control), automatic adjustment of image brightness, and longer lifetime of LEDs
- Excellent outdoor ID design with **cable management**
- **Waterproof** design on the Ethernet cable connector
- **Remote Surveillance**
 - **Fully compatible** with **iOS** and **Android** devices, and **Internet Explorer** on Windows operating system
 - Free PC program, **CMS Lite**, for 24CH devices monitoring on Windows operating system
 - **Push Video** available on your iOS and Android devices when used with Push Video NVR series.



DIMENSIONS





○ SPECIFICATIONS

■ Network

| | |
|------------------------|--|
| LAN Port | YES |
| LAN Speed | 10/100 Based-T Ethernet |
| Supported Protocols | DDNS, PPPoE, DHCP, NTP, SNTP, TCP/IP, ICMP, SMTP, FTP, HTTP, RTP, RTSP, RTCP, IPv4, Bonjour, UPnP, DNS, UDP, IGMP, QoS, SNMP |
| ONVIF Compatible | YES (Profile S) |
| Number of Online Users | 10 |
| Security | (1) Multiple user access levels with password (2) IP address filtering (3) Digest authentication |
| Remote Access | (1) Internet Explorer on Windows operating system (2) CMS Lite, 24CH CMS software for Windows operating system (3) EagleEyes on iOS & Android mobile devices |

■ Video

| | |
|--------------------------|--|
| Network Compression | H.264 (Main Profile) / MJPEG |
| Video Resolution | 1920 x 1080 / 1280 x 720 / 720 x 480 / 352 x 240 |
| Frame Rate | 30fps |
| Multiple Video Streaming | 4 (H.264, MJPEG) |

■ General

| | |
|----------------------------|--|
| Image Sensor | 1/2.8" SONY CMOS image sensor |
| Min Illumination | 0.1 Lux / F1.4(Wide)~F2.8(Tele), 0 Lux (IR LED ON) |
| Shutter Speed | 1/10,000 ~ 1/7.5 (Slow shutter) |
| S/N Ratio | More than 48dB (AGC off) |
| Lens | f2.8 ~ 12mm / F1.4 ~ F2.8 |
| Viewing Angle | Wide: 103° (Horizontal) / 54° (Vertical) / 122° (Diagonal) Tele: 31° (Horizontal) / 17° (Vertical) / 36° (Diagonal) |
| IR LED | 2 units |
| IR Effective Distance** | Default : up to 25 meters IR Enhanced Mode : up to 35 meters |
| IR Shift | YES |
| Smart Light Control | YES |
| White Balance | ATW |
| AGC | Auto |
| IRIS Mode | AES |
| WDR | YES |
| POE | YES (IEEE 802.3af) |
| Privacy Mask | YES |
| External Alarm I/O | YES (1 input / 1 output) |
| RAM | 20MB |
| MicroSD Card Slot | YES (up to 64GB) |
| IP Rating | IP66 |
| Startup Temperature | 0°C ~ 40°C |
| Operating Temperature | -25°C ~ 50°C |
| Operating Humidity | Less than 60% relative humidity |
| Power Source (±10%) | DC12V / 1A |
| Current Consumption (±10%) | 320mA (LED off) / 710mA (LED on) |
| Power Consumption (±10%) | 10.85W max (PoE); 10.85W max (PoN) ; 9.5W max (DC Adapter) |
| Net Weight (kg) | 1.4 |

*The specifications are subject to change without notice.

**By using IR enhanced mode and slow shutter speed, the distance can be extended even longer.

● SPECIFICATIONS (CONTINUED)

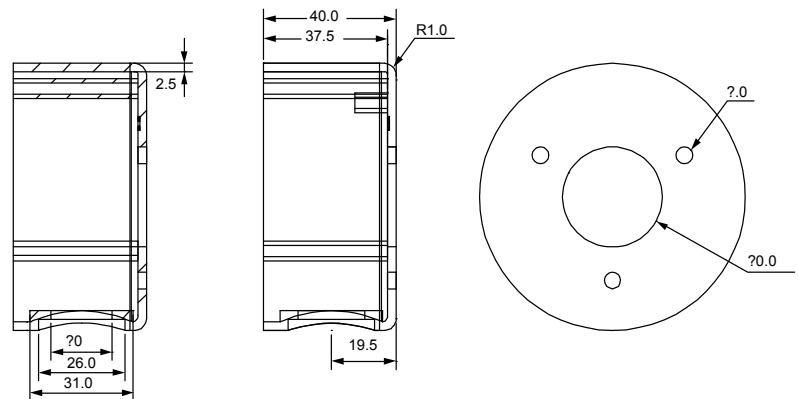
| ■ Audio | |
|-----------------------------------|--|
| Line in | YES (Mono) |
| Line out | YES (Mono) |
| ■ Others | |
| TV-Out | YES |
| Mobile Surveillance | iOS & Android mobile devices |
| Event Notification | FTP / Email / SMS |
| Digital Pan / Tilt / Zoom | YES |
| Motion Detection | YES |
| RTC (real-time clock) | YES |
| Minimum Web Browsing Requirements | <ul style="list-style-type: none"> • Intel core i3 or higher, or equivalent AMD • 2GB RAM • AGP graphics card, Direct Draw, 32MB RAM • Windows 10, Windows 8, Windows 7, Windows Vista & Windows XP, DirectX 9.0 or later • Internet Explorer 7.x or later (Windows Edge not supported) |

*The specifications are subject to change without notice.

● OPTIONAL PERIPHERALS

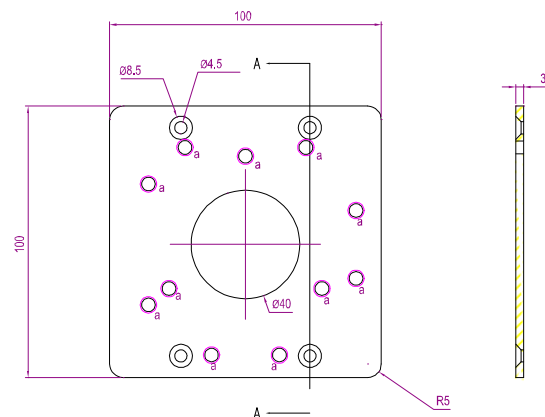
■ AVM552C-BBKT

Used as a bracket to mount the camera on the ceiling and collect the cables.



■ BULLETCON1

Used as a connector to install a junction box for further applications.



Dimensional tolerance: ± 5mm