



# AVM561J



HD 1080P



Vari-focal Lens



MicroSD Card  
Recording



External I/O



Line in / out



PoE



Solid Light



WDR



Mobile  
Surveillance



ETS



## 2MP 10X Zoom Vari-focal IP Camera

### FEATURES

- Zoom lens of f5.0 ~ 50mm with **10x optical zoom, 16x digital zoom and auto focus**, suitable for various monitoring environments
- MicroSD card support (up to 64GB) for **video storage**
- **WDR** to increase image recognizability in overexposure and dark areas
- **Solid Light** series featuring better overexposure prevention (Advanced Smart Light Control), automatic adjustment of image brightness, and longer lifetime of LEDs
- **Smart Light Control** to dynamically adjust image performance for clear and accurate images
- **External alarm I/O device** connection
- **POE (Power-over-Ethernet)** support to eliminate the use of power cables and reduce installation costs
- **ONVIF** (**ONVIFS**) standard supported to simplify system integration
- **Line in / out** jacks available for audio transmission
- **Waterproof** design on the Ethernet cable connector
- **Remote Surveillance**
  - **Fully compatible** with **iOS** and **Android** devices, and **Internet Explorer** on Windows operating system
  - Free PC program, **CMS Lite**, for 24CH devices monitoring on Windows operating system
  - **Push Video** available on your iOS and Android devices when used with Push Video NVR series.





## ● SPECIFICATIONS

■ Network	
LAN Port	YES
LAN Speed	10/100 Based-T Ethernet
Supported Protocols	DDNS, PPPoE, DHCP, NTP, SNTP, TCP/IP, ICMP, SMTP, FTP, HTTP, RTP, RTSP, RTCP, IPv4, Bonjour, UPnP, DNS, UDP, IGMP, QoS, SNMP
ONVIF Compatible	YES (Profile S)
Number of Online Users	10
Security	(1) Multiple user access levels with password (2) IP address filtering (3) Digest authentication
Remote Access	(1) Internet Explorer on Windows operating system (2) CMS Lite, 24CH CMS software for Windows operating system (3) EagleEyes on iOS & Android mobile devices
■ Video	
Video Compression	H.264 (Main Profile) / MJPEG
Resolution	1920 x 1080 / 1280 x 720 / 720 x 480 / 352 x 240
Frame Rate	30/25 fps
Multiple Video Streaming	4 (H.264, MJPEG)
■ General	
Image Sensor	1/2.8" SONY CMOS image sensor
Min Illumination	0.1 Lux / F1.8 (wide)~F3.2 (Tele), 0 Lux (LED ON)
Electronic Shutter	1/10,000~1/7.5
S/N Ratio	More than 48dB (AGC off)
Lens	f5.0~50mm / F1.8 ~ 3.2, 10x Optical Zoom, auto focus
Viewing Angle	1X: 58.8° (Horizontal) x 34.2° (Vertical) x 66° (Diagonal) 10X: 6.35° (Horizontal) x 3.6° (Vertical) x 7.25° (Diagonal)
IR LED	3 Units
IR Effective Range**	Default: up to 50 meters IR Enhanced Mode: up to 70 meters
IR Shift	YES
Smart Light Control	YES
White Balance	ATW
AGC	Auto
IRIS Mode	AI / Iris Priority
WDR	YES
POE	YES (IEEE 802.3af)
External Alarm I/O	YES (1 input / 1 output)
RAM	20MB
MicroSD Card Slot	YES (support up to 64GB microSD card)
IP Rating	IP67
Startup Temperature	0°C ~ 40°C
Operating Temperature	-25°C ~ 50°C
Operating Humidity	Less than 60% relative humidity
Power Source (±10%)	12V / 1.5A
Current consumption (±10%)	340mA (LED off) / 970mA (LED on)
Power Consumption (±10%)	15.3W max (PoE) ; 15.3W max (PoN) ; 13W max (DC Adapter)
Net Weight (kg)	1.8
■ Audio	
Line in	YES (Mono)
Line out	YES (Mono)



## ● SPECIFICATIONS (CONTINUED)

■ Others	
TV-out	YES
Mobile Surveillance	iOS & Android mobile devices
Event Notification	FTP / Email / SMS
Digital Pan / Tilt / Zoom	YES
Motion Detection	YES
RTC (real-time clock)	YES
Minimum Web Browsing Requirements	<ul style="list-style-type: none"> <li>• Intel core i3 or higher, or equivalent AMD</li> <li>• 2GB RAM</li> <li>• AGP graphics card, Direct Draw, 32MB RAM</li> <li>• Windows 10, Windows 8, Windows 7, Windows Vista &amp; Windows XP, DirectX 9.0 or later</li> <li>• Internet Explorer 7.x or later (Windows Edge not supported)</li> </ul>

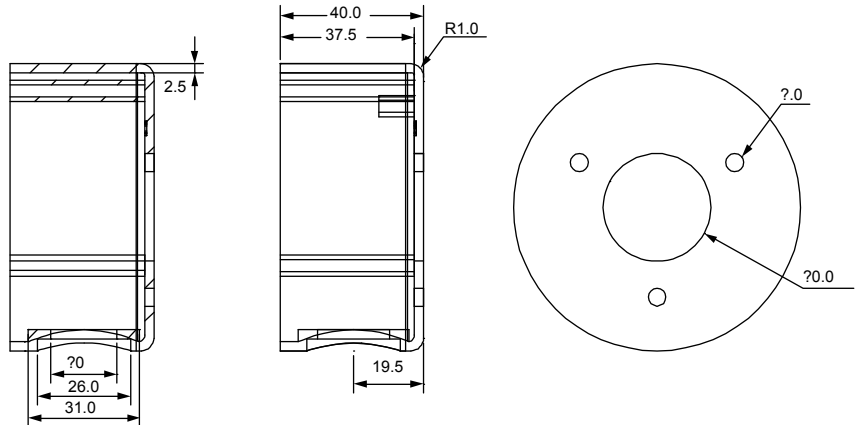
\*The specifications are subject to change without notice

\*\* Using IR enhanced mode and slow shutter speed, the distance can be extended even longer.

## ● OPTIONAL PERIPHERALS

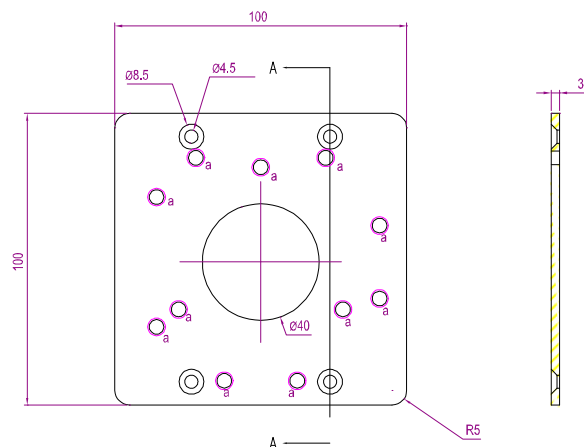
### ■ AVM552C-BBKT

Used as a bracket to mount the camera on the ceiling and collect the cables.



### ■ BULLETCON1

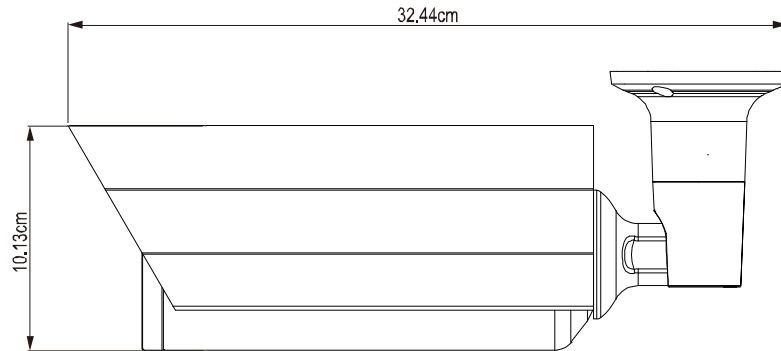
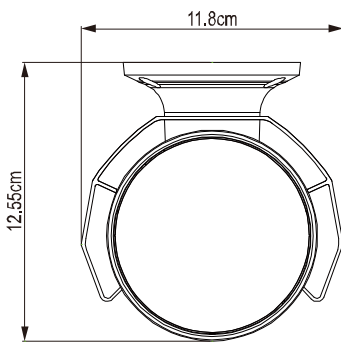
Used as a connector to install a junction box for further applications.



Dimensional tolerance: ± 5mm



## ● DIMENSIONS



Dimensional tolerance:  $\pm 5\text{mm}$