

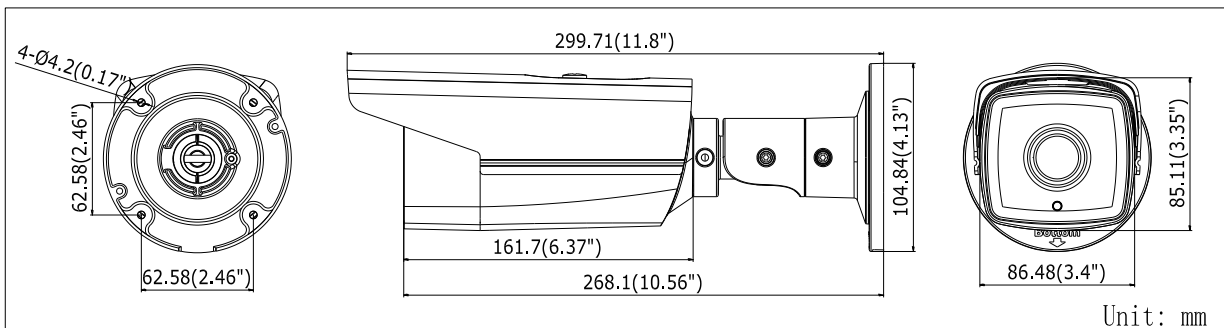
ZKI2034P



Key Features

- 1/2.8" Progressive Scan CMOS
- Up to 2 megapixel resolution
- Full HD1080p real-time video
- 120dB Wide Dynamic Range
- 3D DNR
- EXIR high performance LEDs
- Up to 30 meters IR range
- 12V DC±10% & PoE(802.3af)
- Support H.264+
- IP66
- Mobile monitoring via IZee2

Dimensions



ZKI2034P

2.0MP EXIR WDR Bullet Network Camera



Specification

Camera	
Image Sensor	1/2.8" Progressive Scan CMOS
Min. Illumination	0.01Lux @(F1.2,AGC ON), 0.028 Lux @(F2.0,AGC ON), 0 Lux with IR
Shutter Speed	1/3 s ~ 1/10,000 s
Slow Shutter	Support
Lens	4mm@F2.0
Lens Mount	M12
Day & Night	IR cut filter with auto switch
WDR	120dB
Compression	
Video Compression	H.264/MJPEG/H.264+
H.264 Type	Main Profile
Video Bit Rate	256 Kbps – 16 Mbps
Image	
Max. Resolution	1920 × 1080
Frame Rate	50Hz: 25fps(1920 × 1080, 1280 × 960, 1280 × 720) 60Hz: 30fps (1920 × 1080, 1280 × 960, 1280 × 720)
Image Enhancement	BLC/3D DNR/ROI
Image Setting	Rotate Mode, Saturation, Brightness, Contrast, Sharpness adjustable by client software or web browser
Day/Night Switch	Auto/Schedule/Triggered by Alarm In
Network	
Network Storage	NAS (Support NFS,SMB/CIFS)
Alarm Trigger	Intrusion Detection, Line Crossing detection, Motion detection, Dynamic Analysis, Tampering alarm, Network disconnect, IP address conflict, Storage exception
Protocols	TCP/IP, UDP, ICMP, HTTP, HTTPS, FTP, DHCP, DNS, DDNS, RTP, RTSP, RTCP, PPPoE, NTP, UPnP, SMTP, SNMP, IGMP, 802.1X, QoS, IPv4, IPv6, Bonjour
Security	Flash-prevention, dual stream, heartbeat, mirror, password protection, privacy mask, watermark, IP address filtering, Anonymous access
Standard	ONVIF (PROFILE S, PROFILE G), PSIA, CGI, ISAPI
General	
Communication Interface	1 RJ45 10M/100M Ethernet interface
Operating Conditions	-30 °C – 60 °C (-22 °F – 140 °F), Humidity 95% or less (non-condensing)
Power Supply	12V DC±10%, PoE (802.3af)
Power Consumption	Max. 6W
Ingress Protection level	IP66
IR Range	30 meters
Dimensions	299.71 × 86.48 × 85.11(11.8" × 3.4" × 3.35")
Weight	1200g (2.65 lbs)