

## DH-IPC-HDBW5221E-Z

2MP Full HD WDR Network Vandal-proof IR Dome Camera



### Features

- 1/2.7" 2Megapixel progressive scan CMOS
- Support H.264&MJPEG dual codec
- 25/30fps@1080(1920×1080)
- Smart Detection supported
- WDR(120dB), Day/Night(ICR), 3DNR, AWB, AGC, BLC
- Multiple network monitoring: Web viewer, CMS(DSS/PSS) & DMSS
- 2.7mm ~12mm motorized lens
- 1/1 Alarm in/out, 1/1 audio in/out
- Max. IR LEDs Length 50m
- Micro SD memory, IP67, IK10, PoE

# DH-IPC-HDBW5221E-Z

## Technical Specifications

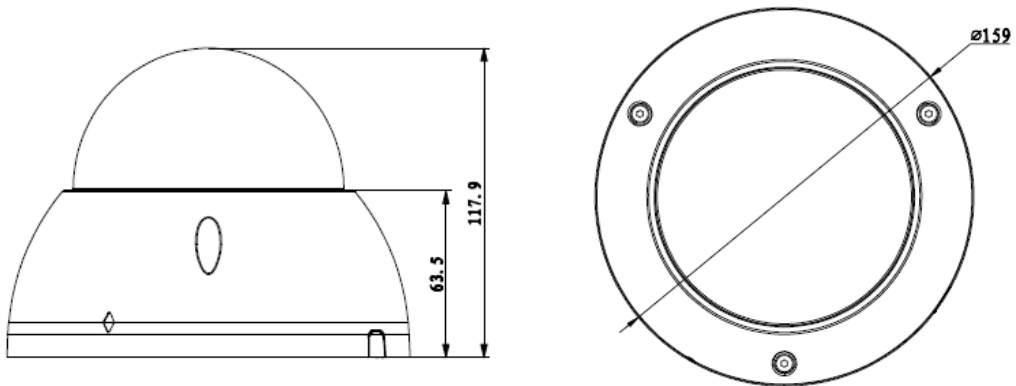
<b>Model</b>	<b>DH-IPC-HDBW5221E-Z</b>	
<b>Camera</b>		
Image Sensor	1/2.7" 2Megapixel progressive scan CMOS	
Effective Pixels	1920(H) x 1080(V)	
Scanning System	Progressive	
Electronic Shutter Speed	Auto/Manual, 1/3(4)~1/100000s	
Min. Illumination	0.01Lux/F1.4(Color); 0Lux/F1.4(IR on)	
S/N Ratio	More than 50dB	
Video Output	1 port	
<b>Camera Features</b>		
Max. IR LEDs Length	50m	
Day/Night	Auto(ICR) / Color / B/W	
Backlight Compensation	BLC / HLC /WDR(120dB)	
White Balance	Auto/Sunny/Night/Outdoor/Customized	
Gain Control	Auto/Manual	
Noise Reduction	3D	
Privacy Masking	Up to 4 areas	
<b>Lens</b>		
Focal Length	2.7mm~12mm	
Max Aperture	F1.4	
Focus Control	Motorized	
Angle of View	H: 99°~34°	
Lens Type	Motorized/ Auto Iris(DC)	
Mount Type	Board-in Type	
<b>Video</b>		
Compression	H.264/H.264H/H.264B/MJPEG	
Resolution	1080P(1920x1080)/1.3M(1280x960)/720P(1280x720)/D1(704x576 /704x480)/CIF(352x288/352x240)	
Frame Rate	Main Stream	1080P/720P(1 ~ 25/30fps)
	Sub Stream	D1/CIF(1 ~ 25/30fps)
	Third Stream	720P(1 ~ 13/4fps)
Bit Rate	H.264: 32K ~ 10Mbps	
Corridor Mode	Support	
<b>Audio</b>		
Compression	G.711a/ G.711u/ AAC	
Interface	1/1 channel In/Out	
<b>Smart Function</b>		
Smart detection	Tripwire	
	Intrusion	
	Abandoned/Missing	
	Scene Change	

## DH-IPC-HDBW5221E-Z





	Audio detect
	Face detect
<b>Network</b>	
Ethernet	RJ-45 (10/100Base-T)
Wi-Fi	N/A
Protocol	IPv4/IPv6, HTTP, HTTPS, SSL, TCP/IP, UDP, UPnP, ICMP, IGMP, SNMP, RTSP, RTP, SMTP, NTP, DHCP, DNS, PPPOE, DDNS, FTP, IP Filter, QoS, Bonjour, 802.1x
ONVIF	ONVIF,PSIA,CGI
Max. User Access	20users
Smart Phone	iPhone, iPad, Android, Windows Phone
<b>Auxiliary Interface</b>	
Memory Slot	Micro SD, Max 128GB
RS485	N/A
Alarm	1/1 channel In/Out
PIR Sensor Range	N/A
<b>General</b>	
Power Supply	DC12V(AC24V optional), PoE (802.3af)
Power Consumption	Max 10W (with IR on, motorized lens working)
Working Environment	-30°C~+60°C, Less than 95% RH
Ingress Protection	IP67
Vandal Resistance	IK10
Dimensions	Φ 159mm×117.9mm
Weight	0.8Kg

# DH-IPC-HDBW5221E-Z

## Dimensions (mm)



## Accessory (optional)

PFA101	PFB302S	PFA152	PFB300C
			

### Dahua Technology Co., Ltd.

1199 BinAn Road, Binjiang District, Hangzhou, China

Tel: +86-571-87688883

Fax: +86-571-87688815

Email: [overseas@dahuatech.com](mailto:overseas@dahuatech.com)

[www.dahuasecurity.com](http://www.dahuasecurity.com)

\*Design and specifications are subject to change without notice.

© 2015 Dahua Technology Co., Ltd.