



AVM2421



HD 1080P



External I/O



DWDR



PoE



MicroSD Card
Recording



3-Axis



Line in / out



New IR



Mobile
Surveillance




ETS MARS

2MP IR Dome IP Camera

FEATURES

- **3-axis mechanism for flexible ceiling and wall-mount installation**
- MicroSD card support (up to 64GB) for **video storage**
- **External alarm I/O device** connection



- **POE (Power-over-Ethernet)** support to eliminate the use of power cables and reduce installation costs
- **ONVIF** () standard supported to simplify system integration
- **Microphone built-in** for audio recording, and **Line in / out** jacks available for audio transmission
- **New IR technology** adapted to enhance brightness at night as well as the effective distance of up to 10 meters
- **DWDR** to increase image recognizability in overexposure and dark areas
- **Remote Surveillance**
 - **Fully compatible** with **iOS** and **Android** devices, and **Internet Explorer** on Windows operating system
 - Free PC program, **CMS Lite**, for 24CH devices monitoring on Windows operating system
 - **Push Video** available on your iOS and Android devices when used with Push Video NVR series.



● SPECIFICATIONS

■ Network	
LAN Port	YES
LAN Speed	10/100 Based-T Ethernet
Supported Protocols	DDNS, PPPoE, DHCP, NTP, SNTP, TCP/IP, ICMP, SMTP, FTP, HTTP, RTP, RTSP, RTCP, IPv4, Bonjour, UpnP, DNS, UDP, IGMP, QoS, SNMP
ONVIF Compatible	YES (Profile S)
Number of Online Users	10
Security	(1) Multiple user access levels with password (2) IP address filtering (3) Digest authentication
Remote Access	(1) Internet Explorer on Windows operating system (2) 24CH CMS Lite on Windows operating system (3) EagleEyes on iOS & Android mobile devices
■ Video	
Network Compression	H.264 (Main Profile) / MJPEG
Video Resolution	1920 x 1080 / 1280 x 720 / 720 x 480 / 352 x 240
Frame Rate	30fps
Multiple Video Streaming	4 (H.264, MJPEG)
■ General	
Image Sensor	1/2.9" CMOS image sensor
Min Illumination	0.1 Lux / F1.5, 0 Lux (IR LED ON)
Shutter Speed	1/10,000 ~ 1/7.5 (Slow shutter)
S/N Ratio	More than 48dB (AGC off)
Lens	f3.8mm / F1.5
Viewing Angle	73.2° (Horizontal) / 42.8° (Vertical) / 83.2° (Diagonal)
IR LED	1 unit
IR Effective Distance**	Up to 10 meters
IR Shift	YES
Smart Light Control	YES
White Balance	ATW
AGC	Auto
IRIS Mode	AES
Sharpness	YES
DWDR	YES
POE	YES (IEEE 802.3af)
Privacy Mask	YES
External Alarm I/O	YES (1 input / 1 output)
RAM	20MB
MicroSD Card Slot	YES (up to 64GB)
Operating Temperature	0°C ~ 40°C
Operating Humidity	Less than 60% relative humidity
Power Source (±10%)	DC12V / 500mA
Current Consumption (±10%)	202mA (IR LED OFF); 274mA (IR LED ON)
Power Consumption (±10%)	4.11 (PoE) ; 4.11W (PoN) ; 3.29W (DC Adapter)
Net Weight (kg)	0.75

*The specifications are subject to change without notice.

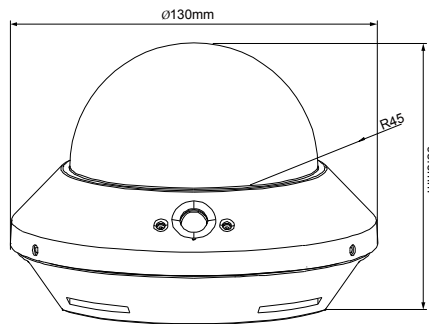
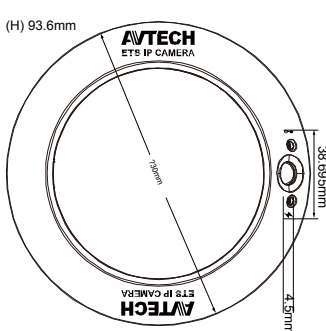


● SPECIFICATIONS (CONTINUED)

■ Audio	
Microphone Built-in	YES
Line in	YES (Mono)
Line out	YES (Mono)
■ Others	
Mobile Surveillance	iOS & Android mobile devices
Event Notification	FTP / Email / SMS
3-Axis	YES
Digital Pan / Tilt / Zoom	YES
Motion Detection	YES
RTC (real-time clock)	YES
Minimum Web Browsing Requirements	<ul style="list-style-type: none"> • Intel core i3 or higher, or equivalent AMD • 2GB RAM • AGP graphics card, Direct Draw, 32MB RAM • Windows 10, Windows 8, Windows 7, Windows Vista & Windows XP, DirectX 9.0 or later • Internet Explorer 7.x or later (Windows Edge not supported)

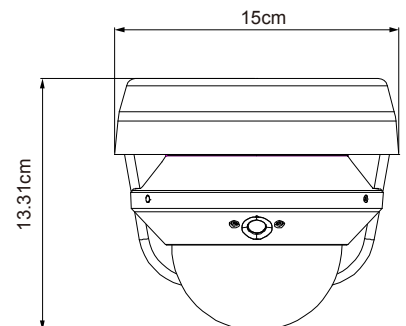
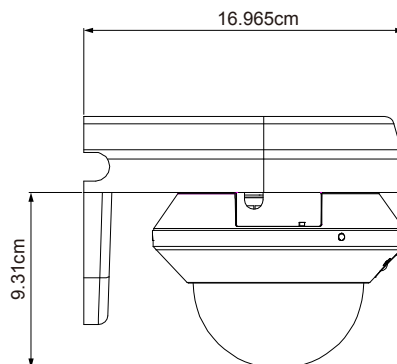
*The specifications are subject to change without notice.

● DIMENSIONS



Dimensional tolerance: ± 5mm

● OPTIONAL BRACKET



Dimensional tolerance: ± 5mm