

## ZKS11523

### HD720p IR PTZ Dome Camera



## Key features

### IR function:

- 0 Lux minimum illumination
- Up to 150m IR distance
- IR light MTBF reaching up to 30,000 hours
- Smart IR mode

### System function:

- 1/3" high performance CMOS, up to 1280x720 resolution
- $\pm 0.1^\circ$  Preset Accuracy
- Pelco-P/D protocol
- 3D intelligent positioning function
- Power-off memory function: restore PTZ & Lens status after reboot
- Built-in temperature sensor, with display of internal temperature
- Lightning protection, surge protection and voltage transient protection
- IP66 standard
- RS-485 communication diagnosis
- Scheduled PTZ movement
- CVBS output

### Camera function:

- Auto focus, auto white balance, backlight compensation and auto/manual day & night switch
- Privacy masks programmable
- 3D DNR, WDR

### PTZ function:

- 360° endless pan range and -15°-90° tilt range
- 400°/s Pan Preset Speed and 200°/s Tilt Preset Speed
- 0.1°-400°/s Manual Pan Speed and 0.1°-120°/s Manual Tilt Speed

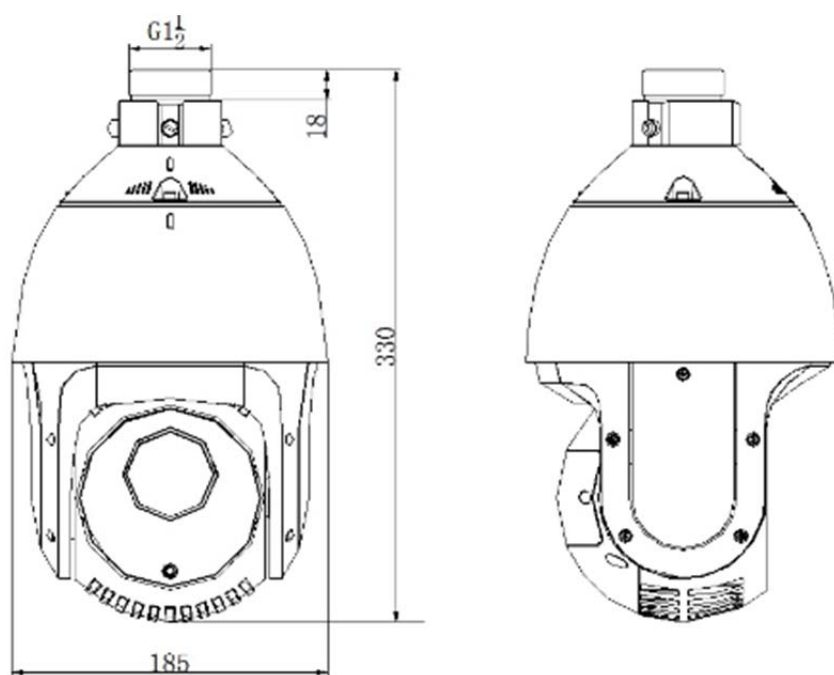
- 256 presets programmable; preset image freezing capability
- 8 patrols, up to 32 presets per patrol
- 4 patterns, with the total recording time not less than 10 minutes
- Proportional zoom function
- Park action: auto call up of PTZ movement, after a defined time of inactivity

## Specifications

Parameter		Model
		ZKS11523
		<b>HD720p IR PTZ Dome Camera</b>
Camera	Image Sensor	1/3" CMOS
	Max. Image Resolution	1280×720
	Frame Rate	50Hz:25fps(1280×720), 50fps (1280×720) 60Hz:30fps(1280×720), 60fps (1280×720)
	Min. Illumination	Color: 0.05Lux@(F1.4,AGC ON) B/W: 0.005Lux@(F1.4,AGC ON)
	White Balance	Auto / Manual / ATW / Indoor / Outdoor
	AGC	Auto / Manual
	S / N Ratio	≥ 50dB
	3D DNR	Support
	Backlight Compensation	Support
	WDR	Support
	Shutter Time	PAL: 1-1/10,000s NTSC: 1-1/10,000s
	Day & Night	IR Cut Filter
	Digital Zoom	16x
	Privacy Mask	8 privacy masks programmable; a maximum of 8 zones can be masked simultaneously on the same video screen
Focus Model	Auto / Semiautomatic / Manual	
Lens	Focal Length	4-92mm, 23X
	Zoom Speed	Approx.3.0s(Optical Wide-Tele)
	Angle of View	49-2.2 degree(Wide-Tele)
	Min. Working Distance	10-1000mm (Wide-Tele)
	Aperture	F1.4-F3.5
Pan and Tilt	Pan Range	360° endless
	Pan Speed	Pan Manual Speed: 0.1°-400°/s, Pan Preset Speed: 400°/s
	Tilt Range	-15°-90° (Auto Flip )
	Tilt Speed	Tilt Manual Speed: 0.1°-120°/s, Tilt Preset Speed: 200°/s
	Proportional Zoom	Rotation speed can be adjusted automatically according to zoom multiples
	Number of Preset	256

	Patrol	8 patrols, up to 32 presets per patrol
	Pattern	4 patterns, with the total recording time not less than 10 minutes
	Power-off Memory	Support
	Park Action	Preset / Patrol / Pattern / Pan scan / Tilt scan / Frame Scan / Random scan / Panorama scan
	PTZ Position Display	On / Off
	Preset Freezing	Support
	Scheduled Task	Preset / Patrol / Pattern / Pan scan / Tilt scan / Panorama scan
	RS-485 communication diagnosis	Support
<b>Infrared</b>	IR Distance	150m
	IR Intensity	Automatically adjusted, depending on the zoom ratio
<b>Input/ Output</b>	HD Output	1 HD720p output, BNC
	CVBS Output	1.0V[p-p] / 75Ω, NTSC (or PAL) composite, BNC
	Alarm Input	2
	Alarm Output	1
	RS-485 Interface	Half-duplex mode Pelco-P, Pelco-D protocol
<b>General</b>	Menu Language	English, Chinese
	Power	24VAC Outdoor dome: Max. 20W (Heater On), Max. 12W(Heater Off) Indoor dome: Max.12W
	Working Temperature / Humidity	-30 °C-65°C(-22°F-149°F) 90% or less
	Protection Level	IP66 standard TVS 4,000V lightning protection, surge protection and voltage transient protection
	Mounting	Various mounting modes optional
	Dimensions	Φ185×330mm (Φ7.28"×12.99")
	Weight (approx.)	4Kg (8.81lbs)

## Dimensions



Unit:mm

## Order models

- ZKS11523