

DH-HAC-HFW2220D

2.4Megapixel 1080P Water-proof HDCVI IR-Bullet Camera



Features

- 1/2.8" 2.4Megapixel CMOS
- 25/30fps@1080P, 25/30/50/60fps@720P
- High speed, long distance real-time transmission
- HD and SD switchable
- OSD Menu, control over coaxial cable
- DWDR, Day/Night(ICR), AWB, AGC, BLC, 3DNR
- 3.6mm fixed lens (6mm, 8mm, 12mm optional)
- Max. IR LEDs length 80m, Smart IR
- IP67, DC12V

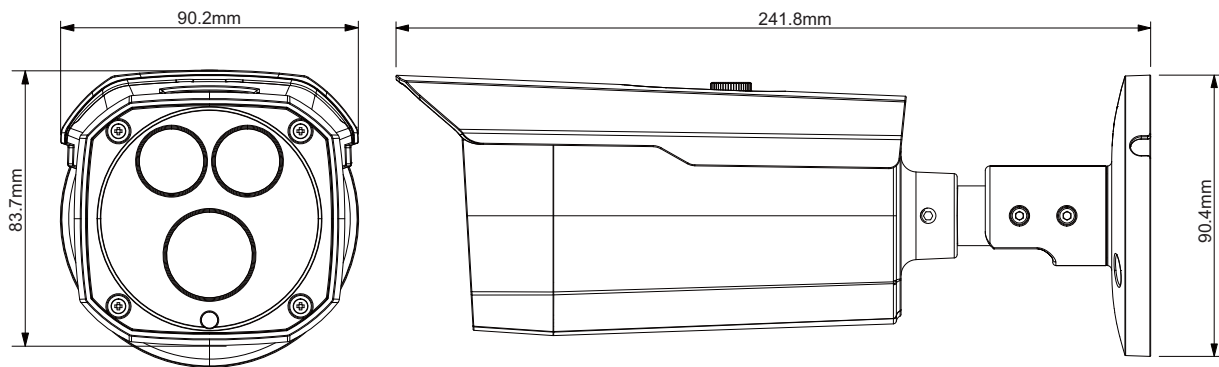
DH-HAC-HFW2220D

Technical Specifications

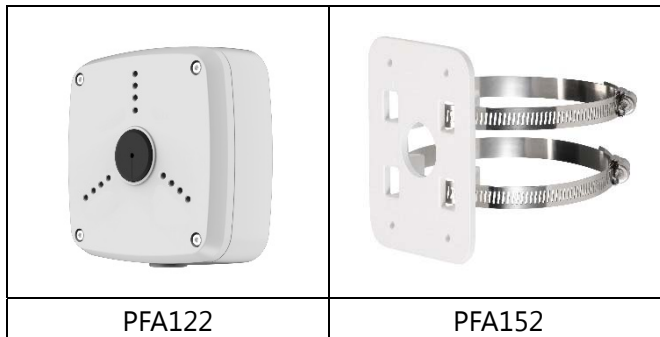
Model	DH-HAC-HFW2220DP	DH-HAC-HFW2220DN
Camera		
Image Sensor	1/2.8" 2.4Megapixel CMOS	
Effective Pixels	1984(H)×1225(V)	
Electronic Shutter	1/3s~1/100,000s	
Video Frame Rate	25/30/50/60fps@720P; 25/30fps@1080P	
Synchronization	Internal	
Min. Illumination	0.05Lux/F1.8, 0Lux IR on	
Video Output	1-channel BNC HDCVI high definition video output/ CVBS standard definition video output (Can switch)	
Camera Features		
Max. IR LEDs Length	80m, Smart IR	
Day/Night	Auto(ICR) / Color / B/W	
Noise Reduction	2D/3D	
OSD Menu	Support	
Lens		
Focal length	3.6mm fixed lens (6mm, 8mm, 12mm optional)	
Angle of View	H: 88° (55°/38.6°/24.6°)	
Mount Type	M12	
General		
Power Supply	DC12V±20%	
Power Consumption	Max 5.8W	
Working Environment	-30°C~+60°C / Less than 95%RH (no condensation)	
Transmission Distance	Over 500m via 75-3 coaxial cable	
Ingress Protection	IP67	
Dimensions(W×D×H)	200.2mm×90.2mm×83.7mm	
Weight	0.635kg	
Material	Metal	

DH-HAC-HFW2220D

Dimensions (mm)



Accessories (optional)



Dahua Technology Co., Ltd.

1199 BinAn Road, Binjiang District, Hangzhou, China

Tel: +86-571-87688883

Fax: +86-571-87688815

Email: overseas@dahuatech.com

www.dahuatech.com

*Design and specifications are subject to change without notice.

© 2014 Dahua Technology Co., Ltd.