

- 2 Megapixel high-performance CMOS
- Analog HD output up to 1080P resolution
- True Day/Night
- OSD menu, 3D DNR, Smart IR
- Up to 20m IR distance
- IP66 weatherproof
- UTC Functon (Pelco C protocol)



CMOS Sensor



IR Cut Remover



BNC



True Day / Night



IP66



1.3MP / 2MP

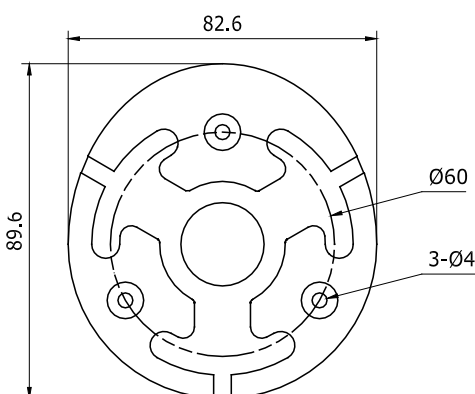
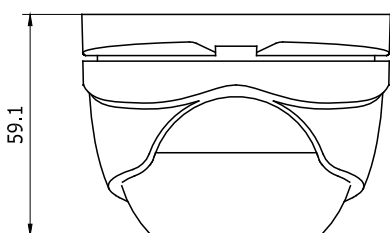


Smart IR



DNR

Dimensions (unit : mm)



Specification

Model	ZKTR202
Parameter	1080p IR Analog HD Camera
Image Sensor	1/3" Progressive Scan CMOS
Signal System	PAL/NTSC
Effective Pixels	1920(H)*1080(V)
Min. illumination	0.01 Lux @(F1.2,AGC ON), 0 Lux with IR
Shutter Time	1/25 (1/30) s to 1/50,000 s
Lens	3.6mm Angle of View: 80.9°(3.6mm), 103.5°(2.8 mm), 54.3°(6 mm)
Lens Mount	M12
Angle Adjustment	Pan: 0 - 360°, Tilt: 0 - 90°, Rotation : 0 - 360°
Day & Night	ICR
Synchronization	Internal synchronization
Video Frame Rate	1080p@25fps / 1080p@30fps
HD Video Output	1 Analog HD output
CVBS Output	1Vp -p Composite Output(75Ω/ BNC)
S/N Ratio	More than 52dB
Scene	Indoor, Outdoor, Indoor1, LOW-LIGHT
Camera ID	On/off (15 characters, position programmable)
AGC	Support
D/N Mode	Color/BW/EXT
White Balance	ATW, AWC -SET, Indoor, Outdoor, Manual
Privacy Mask	On/Off, maximum 8 zones
Motion Detection	On/Off, maximum 4 zones
BLC	Support
Anti-flicker	On/off
Language	English, Japanese, CHN1, CHN2, Korean, German, French, Italian, Spanish, Polish, Russian, Portuguese, Dutch, Turkish, Hebrew and Arabic
Functions	Eclipse, Digital noise reduction, Digital zoom (62x), Slow shutter, Mirror, Defog, Defect pixel correction, SMART D-ZOOM
Working Temperature/Humidity	-20 °C - 60 °C (-4 °F - 140 °F) Humidity 90% or less (non-condensing)
Power Supply	12V DC
Power Consumption	Max. 4 W
Weather Proof Ratings	IP66
IR Range	Up to 20m
Communication	Up the coax(need UTC controller) Protocol: Pelco - C(Coaxitron)
Dimension	89.6 × 59.1 mm (3.53" × 2.33")
Weight	400g (0.88 lb)