

# DGC5105T

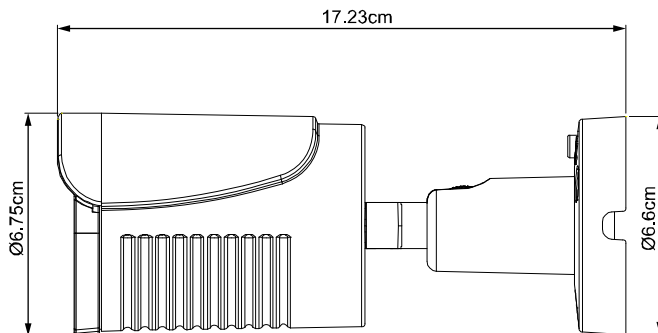
## Quadbrid 5MP IR Bullet Camera



### ● FEATURES

- (1) 1/2.5" CMOS Sensor with 5MP video output
- (2) Low light sensitivity of 0.1 Lux / F1.8, 0Lux (IR LED ON)
- (3) Quadbrid video output with TVI, CVI, AHD & CVBS to fulfill different customers' requirements
- (4) DWDR to increase image recognizability in overexposure and dark areas
- (5) Day and night 24-hour surveillance with IR effective distance up to 50 meters
- (6) IP66 for weather-proof application
- (7) Camera parameters adjustable when used with AVTECH HD CCTV DVR

### ● DIMENSIONS\*



\*Dimensional Tolerance: ± 5mm

### ● SPECIFICATIONS\*

MODEL	DGC5105T
Video Mode	TVI, CVI, AHD & CVBS switchable
Pick-up Element	1/ 2.5" CMOS image sensor
Number of Pixels	2560 (H) x 1920 (V)
Video Frame Rate	5MP @ 20fps
Min. Illumination	0.1 Lux / F1.8, 0 Lux (IR LED ON)
S/N Ratio	More than 48dB (AGC OFF)
Shutter Speed	1/30 (1/25) sec ~ 1/ 60000 (1/ 50000) sec
Lens	f3.6mm / F1.8
Lens Angle	96° (Horizontal) / 50° (Vertical) / 116° (Diagonal)
IR LED	2 units
IR Effective Distance	Up to 50 meters
IR Shift	YES
Day & Night Mode	YES
Noise Reduction	YES
IRIS Mode	AES
White Balance	AUTO
AGC	AUTO
Sharpness	Adjustable
Flickerless	50HZ / 60HZ / OFF
BLC	Adjustable
DWDR	YES
IP Rating	IP66
Operating Temperature	-20°C ~ 40°C
Operating Humidity	90% or less relative humidity
Power Source (±10%)	DC12V / 0.5A
Current Consumption (±10%)	100mA (IR LED OFF); 240mA (IR LED ON)
Net weight (Kg)	0.36
Optional Junction Box	AVA456-WBKT
Certification	CE

\* The specifications are subject to change without notice.