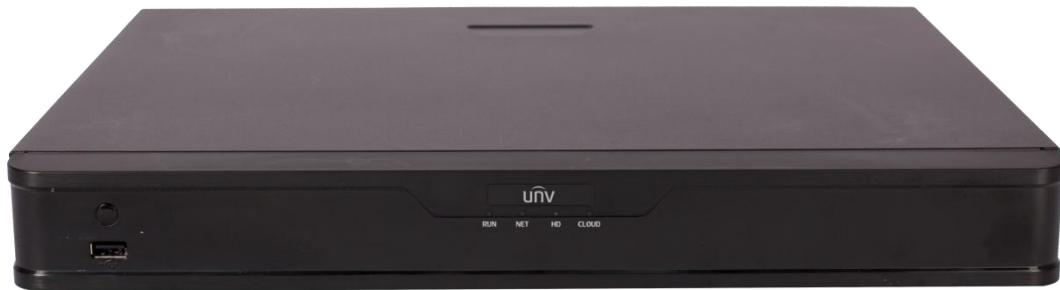


# Network Video Recorder

## NVR302-S-P Series



### Key Features

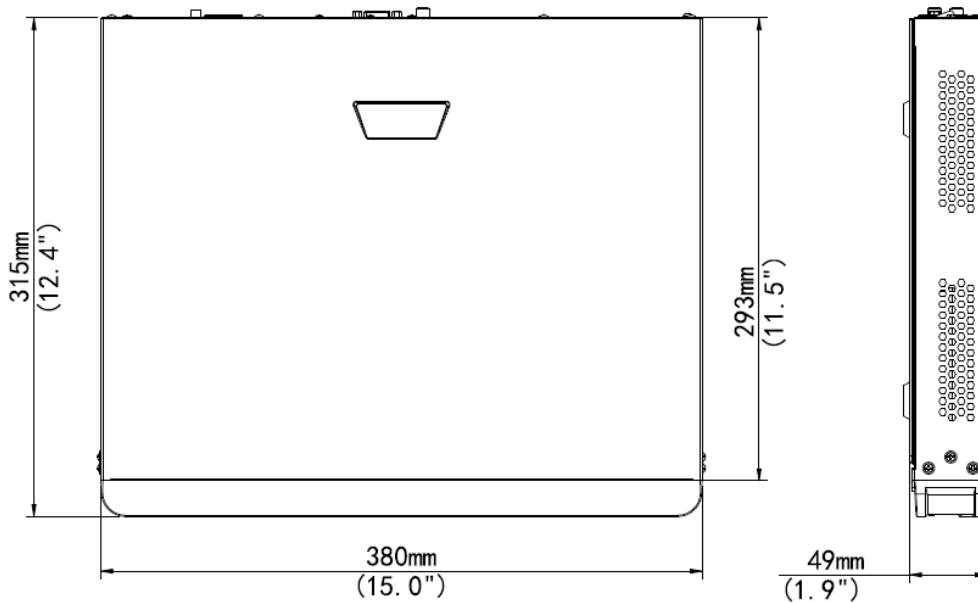
- Support Ultra265/H.265/H.264 video formats
- 8/16-channel input
- Plug & Play with 8/16 independent PoE network interfaces
- Third-party IP cameras supported with ONVIF conformance: Profile S, Profile G, Profile C, Profile Q, Profile A, Profile T
- Support HDMI and VGA simultaneous output
- Up to 8 Megapixels resolution recording
- Up to 8TB for each disk
- Support for P2P, UPnP, NTP, DHCP, PPPoE
- ANR technology to enhance the storage reliability when the network is disconnected
- Support cloud upgrade

## Specifications

Model	NVR302-08S-P8	NVR302-16S-P8	NVR302-16S-P16
<b>Video/Audio Input</b>			
IP Video Input	8-ch	16-ch	16-ch
Two-way Audio Input	1-ch, RCA		
<b>Network</b>			
Incoming Bandwidth	64Mbps	112Mbps	112Mbps
Outgoing Bandwidth	96Mbps	96Mbps	96Mbps
Remote Users	128		
Protocols	SNMP,P2P, UPnP, NTP, DHCP, PPPoE		
<b>Video/Audio Output</b>			
HDMI/VGA Output	VGA: 1024X768@60,1280X720@60,1280X1024@60,1920X1080@50,1920X1080@60 HDMI: 4k(3840x2160@30),4k(3840x2160@60),1024X768@60,1280X720@60,1280X1024@60,1920X1080@50,1920X1080@60		
Recording Resolution	8MP/6MP/5MP/4MP/3MP/1080p/960p/720p/D1/2CIF/CIF		
Audio Output	1-ch, RCA		
Synchronous Playback	8-ch	16-ch	16-ch
Corridor Mode Screen	3/4/5/7/9	3/4/5/7/9/10/12/16	3/4/5/7/9/10/12/16
<b>Decoding</b>			
Decoding format	Ultra265/H.265/H.264		
Live view/ Playback	8MP/6MP/5MP/4MP/3MP/1080p/960p/720p/D1/2CIF/CIF		
Capability	1 x 4K@30, 2 x 4MP@30, 3 x 3MP@25, 4 x 1080P@30, 8 x 720P@30,16 x D1		
<b>Hard Disk</b>			
SATA	2 SATA interfaces		
Capacity	up to 8TB for each disk		
<b>Smart</b>			
VCA Detection	8 SATA interfaces		
VCA Search	Face search, Behavior search		
Statistical Analysis	People counting		
<b>External Interface</b>			
Network Interface	1 RJ-45 10M/100M/1000M self-adaptive Ethernet Interface		
USB Interface	Front panel: 1 x USB2.0, Rear panel: 1 x USB2.0		
Alarm In	4-ch		
Alarm Out	1-ch		

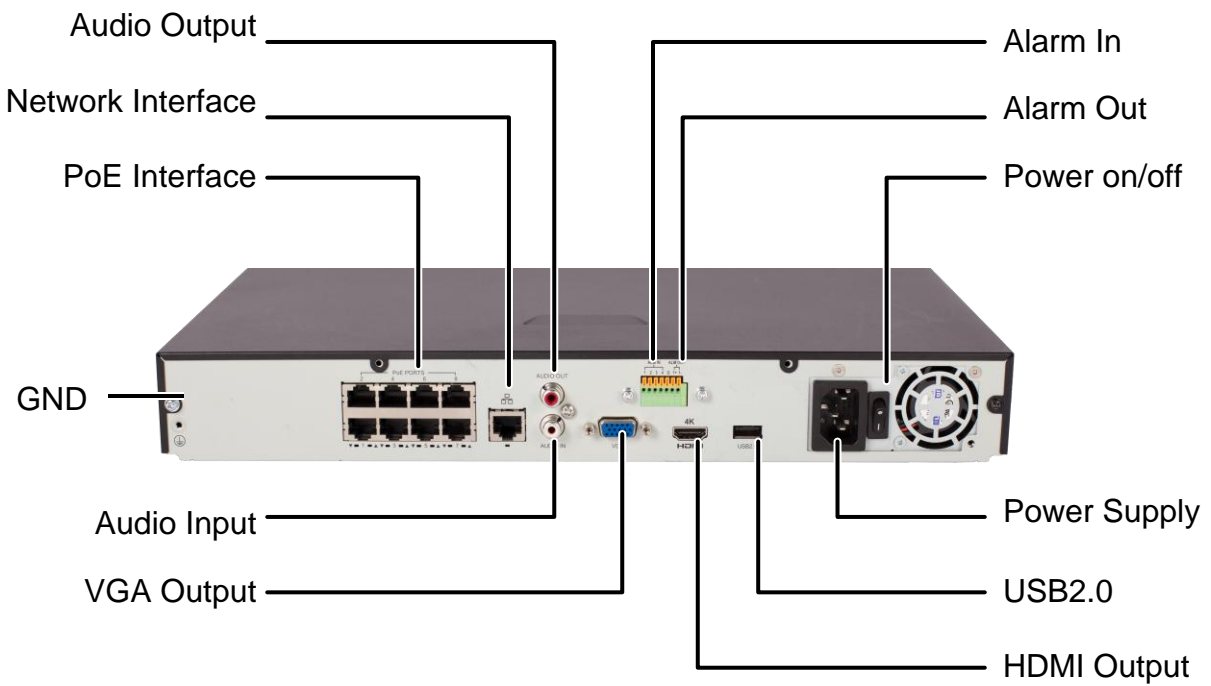
PoE			
Interface	8 independent 100Mbps PoE network interfaces		16 independent 100Mbps PoE network interfaces
Max Power	Max 30W for single port Max 130W in total ( 16.25W for each )	Max 30W for single port Max 130W in total ( 16.25W for each )	Max 30W for single port Max 240W in total ( 15W for each )
Supported Standard	IEEE 802.3af/at		
General			
Power Supply	220V AC Power Consumption: ≤9 W( without HDD )		
Working Environment	-10°C ~ + 55°C ( +14°F ~ +131°F ), Humidity ≤ 90% RH(non-condensing)		
Dimensions(W×D×H)	380mm ×315mm × 49.1mm(15.0" × 12.4" ×1.9" )		
Weight ( without HDD )	≤2.4kg (5.29 lb)		

## Dimensions



## Rear Panel

Take **NVR302-16S-P8** for example



**Zhejiang Uniview Technologies Co., Ltd.**

Building No.10, Wanlun Science Park, Jiangling Road 88, Binjiang District, Hangzhou, Zhejiang, China

Email: [overseasbusiness@uniview.com](mailto:overseasbusiness@uniview.com); [globalsupport@uniview.com](mailto:globalsupport@uniview.com)

<http://sgcdn.uniview.com>

©2016-2017 Zhejiang Uniview Technologies Co.,Ltd. All rights reserved.

\*Product specifications and availability are subject to change without notice.