

2MP WDR Starlight Vandal-resistant Fixed Dome Network Camera

IPC322ER3-DUVPF28 (40)-C



Key Features

Optics

- Starlight illumination
- Day/night functionality
- Smart IR, up to 30 m (98 ft) IR distance
- Car-grade LEDs, brighter and uniform light compensation
- Up to 120 dB WDR (Wide Dynamic Range)
- 2D/3D DNR (Digital Noise Reduction)

Compression

- Ultra 265, H.264, MJPEG
- Embedded smart algorithm
- Triple streams
- ROI (Region of Interest)
- Customized OSD

Network

- ONVIF Conformance

Structure

Wide temperature range: -35°C to 60°C (-31°F to 140°F)

Wide input voltage range of ±25%

IK10 vandal resistant

IP67

3-Axis

Specifications

	IPC322ER3-DUVPF28-C	IPC322ER3-DUVPF40-C			
Camera					
Sensor	1/2.8", progressive scan ,2.0 megapixel, CMOS				
Lens	2.8 mm@F1.6		4.0 mm@F1.6		
DORI Distance	Lens	Detect(m)	Observe(m)	Recognize(m)	Identify(m)
	2.8mm	45	18	9	4.5
	4mm	64.3	25.7	12.9	6.4
Angle of View (H)	107.8°		82.0°		
Angle of View (V)	56.7°		41.4°		
Angle of View (O)	140.2°		100.9°		
Adjustment angle	Pan: 0°~360°		Tilt: 0°~75°		Rotate: 0°~360°
Shutter	Auto/Manual, 1~1/100000 s				
Minimum Illumination	Colour: 0.001 Lux (F1.6, AGC ON) 0 Lux with IR				
Day/Night	IR-cut filter with auto switch (ICR)				
Digital noise reduction	2D/3D DNR				
S/N	>52 dB				
IR Range	Up to 30m (98 ft) IR range				
Defog	Digital Defog				
WDR	120dB				
Video					
Video Compression	Ultra 265, H.264, MJPEG				
H.264 code profile	Baseline profile, Main Profile, High Profile				
Frame Rate	Main Stream:2MP (1920×1080): Max. 30 fps; Sub Stream:2MP (1920×1080): Max. 30 fps; Third Stream:D1 (720×576): Max. 30 fps				
HLC	Supported				
BLC	Supported				
9:16 Corridor Mode	Supported				
OSD	Up to 8 OSDs				
Privacy Mask	Up to 8 areas				
ROI	Up to 8 areas				
Motion Detection	Up to 4 areas				

Smart

Behavior Detection	Intrusion, cross line, motion detection
Intrusion	Enter and loiter in a pre-defined virtual region
cross line	Cross a pre-defined virtual line
motion detection	Moving within a pre-defined virtual region
Recognition	Face detection, Audio detection
Intelligent Identification	Defocus, Scene Change, Object Left, Object Moving
Statistical Analysis	People counting
General Function	Watermark, IP Address Filtering, Tampering Alarm, Alarm input, Alarm output, Access Policy, ARP Protection, RTSP Authentication, User Authentication

Audio

Audio Compression	G.711
Two-way audio	Supported
Suppression	Supported
Sampling Rate	8 KHZ

Storage

Edge Storage	Micro SD, up to 256 GB
Network Storage	ANR

Network

Protocols	IPv4, IGMP, ICMP, ARP, TCP, UDP, DHCP, PPPoE, RTP, RTSP, RTCP, DNS, DDNS, NTP, FTP, UPnP, HTTP, HTTPS, SMTP, 802.1x, SNMP
Compatible Integration	ONVIF(Profile S, Profile G, Profile T), API

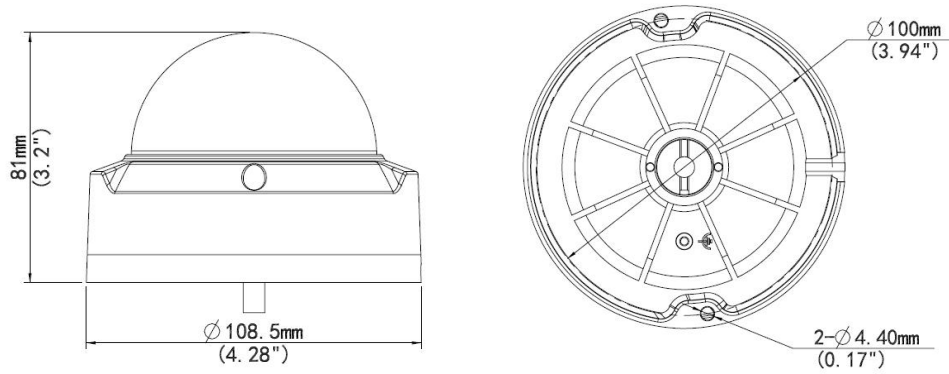
Interface

Audio I/O	Input: impedance 35 kΩ; amplitude 2 V [p-p]
	Output: impedance 600 Ω; amplitude 2 V [p-p]
Alarm I/O	1/ 1
Network	1 RJ45 10M/100M Base-TX Ethernet

General

Power	12 V DC±25%, PoE (IEEE802.3 af)
	Power consumption: Max 4W
Dimensions (Ø x H)	Φ108.5 x 81 mm (Ø4.28" x 3.2")
Weight	0.45 kg (0.99 lb)
Working Environment	-35°C ~ +60°C (-31°F ~ 140°F), Humidity:10%~95% RH(non-condensing)
Ingress Protection	IP67
Vandal Resistant	IK10

Dimensions



Zhejiang Uniview Technologies Co., Ltd.

South Tower, Building 10, Wanlun Science Park, 88 Jiangling Road, Hangzhou, P.R.China 310051

Email: overseasbusiness@uniview.com; globalsupport@uniview.com

<http://www.uniview.com>

©2017-2018 Zhejiang Uniview Technologies Co., Ltd. All rights reserved.

*Product specifications and availability are subject to change without notice.